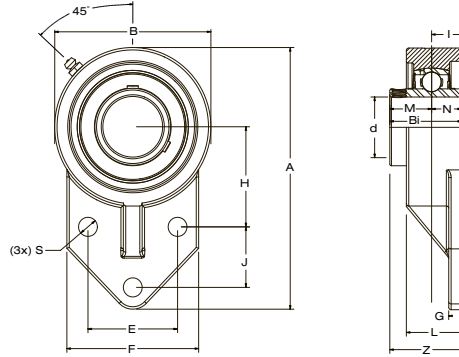
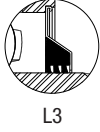
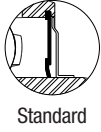


# UCFBS 200 SERIES

Normal-Duty 3-Bolt Flange Bracket  
Setscrew Lock  
(Inch-Based Housing)

**TURNER**  
Mounted Bearings

Available Seal Styles:



Bearing Number	Shaft Dia. d in. mm.	Dimensions in. mm.															Bolt Used in. mm.	Load Rating lbs. kN.		Bearing Insert	Housing Number	Weight lbs. kg.			
		A	H	E	J	I	G	L	S	B	F	Z	Bi	N	M	Dynamic C <sub>r</sub>		Static C <sub>0r</sub>							
UCFBS 201	12																						UC 201		
UCFBS 201-8	1/2																						UC 201-8		
UCFBS 202	15																						UC 202		
UCFBS 202-10	5/8	4.25	1.69	1.500	0.866	0.63	0.31	1.00	0.39	2.50	2.37	1.34	1.2205	0.5000	0.7205	5/16	2,883	1,496				UC 202-10	FBS 204	1.5 0.7	
UCFBS 203	17	108.0	42.9	38.1	22.0	16.0	8.0	25.4	10.0	63.5	60.3	34.1	31.0	12.7	18.3	M8	12.82	6.65				UC 203			
UCFBS 204-12	3/4																						UC 204-12		
UCFBS 204	20																						UC 204		
UCFBS 205-14	7/8																						UC 205-14		
UCFBS 205-15	15/16	4.76	1.81	1.626	1.122	0.66	0.37	1.12	0.39	2.76	2.50	1.44	1.3425	0.5630	0.7795	5/16	3,155	1,810				UC 205-15	FBS 205	1.8 0.8	
UCFBS 205	25	121.0	46.0	41.3	28.5	17.0	9.5	28.5	10.0	70.0	63.5	36.5	34.1	14.3	19.8	M8	14.04	8.05				UC 205			
UCFBS 205-16	1																						UC 205-16		
UCFBS 206-17	1 1/16																						UC 206-17		
UCFBS 206-18	1 1/8																						UC 206-18		
UCFBS 206	30	5.39	2.06	1.874	1.248	0.73	0.37	1.26	0.39	3.27	2.76	1.61	1.5000	0.6260	0.8740	5/16	4,377	2,569				UC 206	FBS 206	2.1 0.9	
UCFBS 206-19	1 3/16	137.0	52.4	47.6	31.7	18.6	9.5	32.0	10.0	83.0	70.0	40.9	38.1	15.9	22.2	M8	19.47	11.43				UC 206-19			
UCFBS 206-20	1 1/4																						UC 206-20		
UCFBS 207-20	1 1/4																						UC 207-20		
UCFBS 207-21	1 5/16	6.14	2.37	2.000	1.248	0.83	0.50	1.44	0.51	3.74	3.27	1.83	1.6890	0.6890	1.0000	7/16	5,775	3,497				UC 207-21	FBS 207	2.9 1.3	
UCFBS 207-22	1 3/8	156.0	60.3	50.8	31.7	21.0	12.7	37.0	13.0	95.0	83.0	46.4	42.9	17.5	25.4	M10	25.69	15.56				UC 207-22			
UCFBS 207	35																						UC 207		
UCFBS 207-23	1 7/16																						UC 207-23		
UCFBS 208-24	1 1/2	6.46	2.37	1.969	1.614	0.83	0.63	1.42	0.44	3.94	3.07	2.02	1.9370	0.7480	1.1890	3/8	6,634	4,079				UC 208-24	FBS 208	4.0 1.8	
UCFBS 208-25	1 9/16	164.0	60.3	50.0	41.0	21.0	16.0	36.0	11.1	100.0	78.0	51.2	49.2	19.0	30.2	M10	29.51	18.14				UC 208-25			
UCFBS 208	40																						UC 208		
UCFBS 209-26	1 5/8																						UC 209-26		
UCFBS 209-27	1 11/16	6.85	2.56	2.126	1.689	0.83	0.71	1.42	0.44	4.17	3.15	2.02	1.9370	0.7480	1.1890	3/8	7,160	4,676				UC 209-27	FBS 209	4.4 2.0	
UCFBS 209-28	1 3/4	174.0	65.0	54.0	42.9	21.0	18.0	36.0	11.1	106.0	80.0	51.2	49.2	19.0	30.2	M10	31.85	20.80				UC 209-28			
UCFBS 209	45																						UC 209		
UCFBS 210-30	1 7/8																						UC 210-30		
UCFBS 210-31	1 15/16	7.48	2.94	2.756	1.626	0.83	0.50	1.50	0.52	4.65	4.02	2.11	2.0315	0.7480	1.2835	7/16	7,867	5,330				UC 210-31	FBS 210	5.1 2.3	
UCFBS 210	50	190.0	74.6	70.0	41.3	21.0	12.7	38.0	13.0	118.0	102.0	53.6	51.6	19.0	32.6	M10	35.00	23.71				UC 210			
UCFBS 210-32	2																						UC 210-32		